

7.5..5mm WTB (TJC2B) Series Connector:

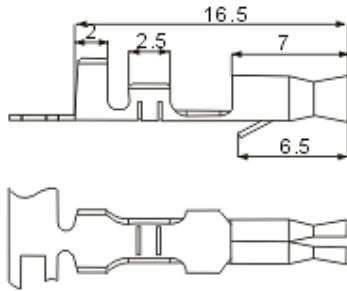


SPECIFICATIONS

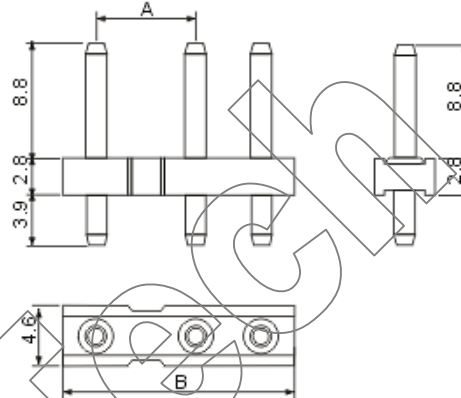
| | |
|--------------------------|---------------------------|
| Pitch: | 7.5-5.0-5.0...5.0 mm |
| Useable Wire Range: | AWG 26# ~ 20# |
| Current Rating: | 5A, AC, DC |
| Voltage Rating: | 250V, AC, DC |
| Operating Temperature: | -25°C ~+85°C |
| Relative Humidity: | 93%, +40°C |
| Dielectric Withstanding: | 1500V AC/minute |
| Contact Resistance: | ≤ 10 mΩ/Contact |
| Insulator Resistance: | ≥ 1000 MΩ at 100V |
| Material: | |
| Base: | Nylon66/ Nylon6T, UL94V-0 |
| Contact Pin: | Brass |
| Housing: | Nylon66, UL94V-0 |
| Terminal: | Phosphor Bronze |

ROHS Compliance

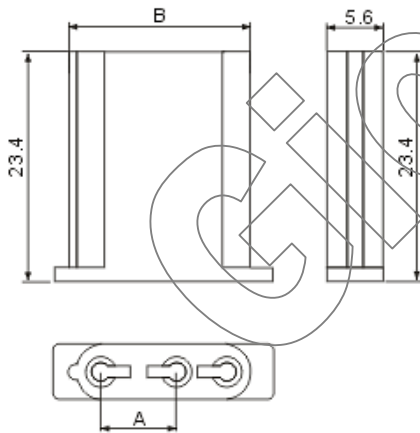
TJC2B-T



TJC2B-XA



TJC2B-XY



| Circuit | Part No. | | Dimensions (mm) | |
|---------|----------|----------|-----------------|-------|
| | | | A | B |
| 2 | TJC2B-2Y | TJC2B-2A | 7.50 | 12.50 |
| 3 | TJC2B-3Y | TJC2B-3A | 12.50 | 17.50 |
| 4 | TJC2B-4Y | TJC2B-4A | 17.50 | 22.50 |
| 5 | TJC2B-5Y | TJC2B-5A | 22.50 | 27.50 |
| 6 | TJC2B-6Y | TJC2B-6A | 27.50 | 32.50 |